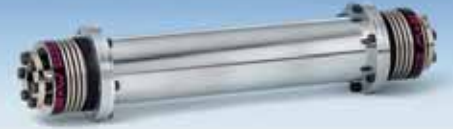
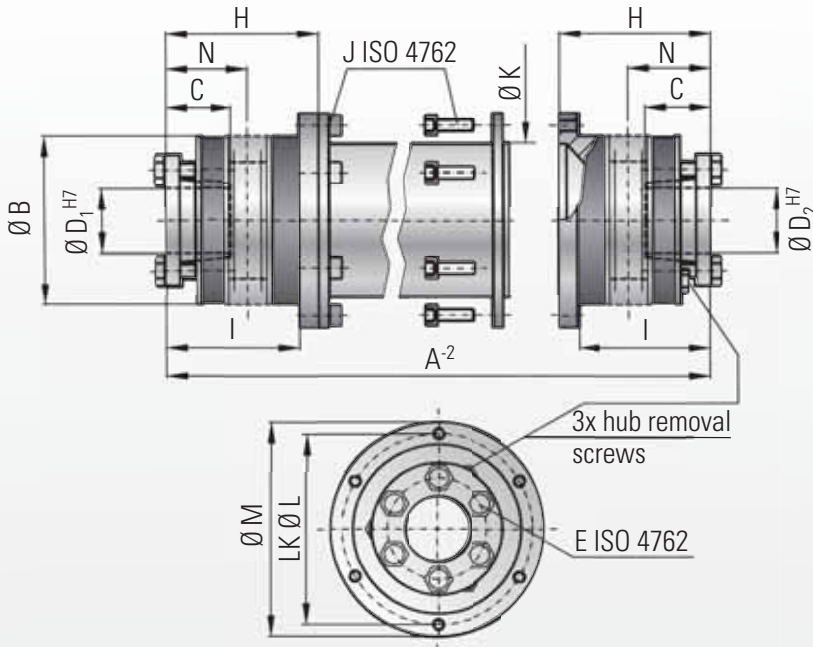


Optional:



# MODEL ZA 1500-4000 Nm

## BACKLASH FREE LINE SHAFTS



with tapered conical sleeves

### Properties:

- Compensation for misalignment
- Backlash-free and torsionally rigid
- Able to span longer distances
- Standard lengths up to 6 m (19.68 ft.)
- No intermediate support bearing required
- Intermediate tube removable for easy mounting

### Material:

Bellows made of flexible high grade stainless steel. Intermediate tube section: steel, **optional composite CFK tube**. Clamping hubs: steel.

### Design:

With tapered conical sleeves and captive jack screws. Intermediate tube section supported by gimbals within the clamping hub. Lateral mounting and dismounting accomplished through the removal of the intermediate tube section. Absolutely backlash-free due to frictional clamp connection.

### Temperature range:

-30 to +100° C (-22° F to 212° F)

### Speed:

Depending on length A, please contact R+W

### Service life:

These couplings have an infinite life and are maintenance-free if the technical ratings are not exceeded

### Fit tolerance:

Shaft/hub connection 0.01 to 0.05 mm

### Ordering example

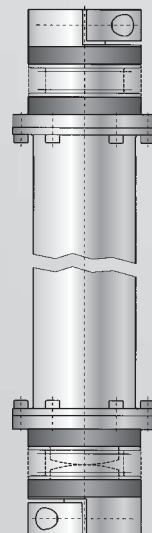
ZA / 1500 / 2551 / 65 / 70 / XX

Model  
Series/rated torque Nm  
Overall length mm  
Bore Ø D1 H7  
Bore Ø D2 H7  
Non-Standard e.g. carbon tube  
All data is subject to change without notice.

Model ZA 1500 - 4000 Nm		Series	
		1500	4000
Rated torque (Nm)	T <sub>KN</sub>	1500	4000
Overall length min. to max. (mm)	A <sup>-2</sup>	280 - 6000	280 - 6000
Outer diameter (mm)	B	157	200
Fit length (mm)	C	61	80,5
Inner diameter from Ø to Ø H7 (mm)	D <sub>1/2</sub>	35 - 70	40 - 100
ISO 4017 clamping screws	6x E	M12	M16
Tightening torque (Nm)		70	120
Length bellows body (mm)	H	98	103,5
Distance (mm)	I	82	84
ISO 4762 screw		10x M10	12x M12
Tightening torque of the assembly screws (Nm)	J	70	120
Outer diameter tube section (mm)	K	150	160
Bolt hole circle Ø (mm)	L	168	193
Outer diameter flange (mm)	M	184	213
Shaft average value (mm)	N	56	61

max. permissible misalignments page 6

### Vertical installation ZA/ZAe



- When mounting vertically additional support of the lower bellows body is necessary.
- A special bellows body for vertical mounting is available upon request.
- Please note „vertical mounting“ when ordering.