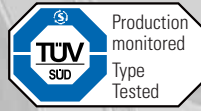


Optional:



single-position
multi-position
load holding
full disengagement

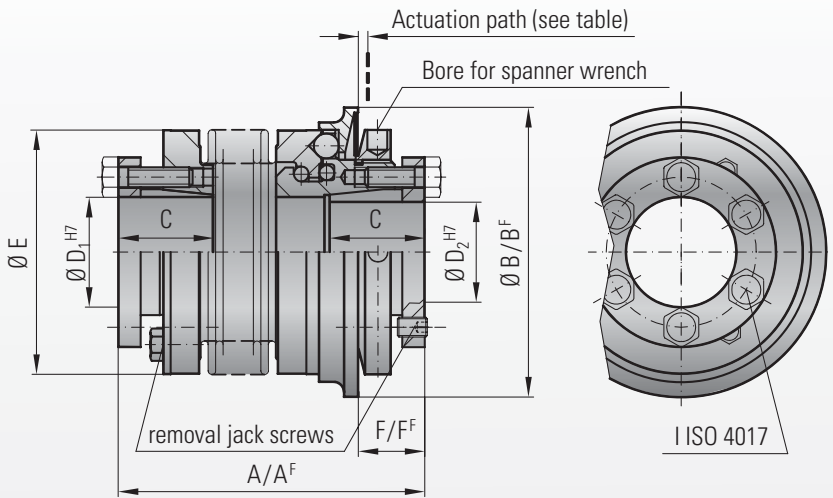


MODEL SK3

BACKLASH FREE TORQUE LIMITER



with tapered conical connection



Material:

Bellows made of highly elastic stainless steel
Torque limiter section: High strength hardened steel. Hub material: Steel

Design:

With tapered conical clamp and removal jack screws.

Absolutely backlash free through frictional clamping connection

Temperature range: -30 to +100° C

Service life:

Maintenance free when operated within the technical specifications

Fit tolerance:

Tolerance between hub and shaft 0.01 – 0.05 mm

Ordering specifications: see page 15

Optional sealed version for food-grade applications (see page 26)

Optional ATEX Certification (see page 19)

Model SK 3	Series																					
	15		30		60		150		200		300		500		800		1500		2500			
Adjustment range available from (approx. values) (Nm)	T_{KN}		5-10 or 8-20		10-25 or 20-40		10-30 or 25-80		20-70 45-150 80-200		30-90 60-160 140-280		100-200 150-240 220-400		80-200 200-350 300-500		400-650 500-800 600-900		650-850 700-1200 1000-1800		1500-2000 2000-2500 2300-2800	
Adjustment range available from (approx. values) ("F" Version) (Nm)	T_{KN}		7-15		8-20 or 16-30		20-40 or 30-60		20-60 40-80 80-150		80-140 or 130-200		120-180 or 160-300		60-150 100-300 250-500		200-400 or 450-800		1000-1250 or 1250-1500		1400-2200 or 1800-2700	
Overall length (mm)	A	62	69	72	80	84	94	93	105	99	111	114	128	123	136	151	175	246				
Overall length ("F" Version) (mm)	A ^F	62	69	72	80	84	94	93	105	102	114	117	131	127	140	151	184	252				
Actuation ring Ø (mm)	B	55		65		73		92		99		120		135		152		174		243		
Actuation ring Ø ("F" Version) (mm)	B ^F	62		70		83		98		117		132		155		177		187		258		
Fit length (mm)	C	19		22		27		32		32		41		41		49		61		80		
Inside diameter from Ø to Ø H7 (mm)	D ₁ /D ₂	10-22		12-23		12-29		15-37		20-44		25-56		25-60		30-60		35-70		50-100		
Outside diameter of coupling (mm)	E	49		55		66		81		90		110		123		133		157		200		
Distance (mm)	F	13		16		18		19		19		23		25		31		30		34		
Distance ("F" Version) (mm)	F ^F	13		14		17		18		17		20		22		20		26		31		
6x ISO 4017	I	M4		M5		M5		M6		M6		M8		M8		M10		M12		M16		
Tightening torque (Nm)	I	4		6		8		12		14		18		25		40		70		120		
Approx. weight (kg)		0.3		0.4		1.2		2.3		3.0		5.0		6.5		9.0		16.3		35		
Moment of inertia (10 ⁻³ kgm ²)	J _{ges}	0.10	0.15	0.28	0.30	0.75	0.80	1.90	2.00	2.80	3.00	5.50	6.00	11.0	12.8	20	42	257				
Torsional stiffness (10 ³ Nm/rad)	C _T	20	15	39	28	76	55	175	110	191	140	420	350	510	500	780	1304	3400				
Lateral ± (mm)	max. values	0.15	0.20	0.20	0.25	0.20	0.25	0.20	0.25	0.25	0.30	0.25	0.30	0.30	0.35	0.35	0.35	0.35	0.35	0.35		
Angular ± (degrees)		1	1.5	1	1.5	1	1.5	1	1.5	1.5	2	1.5	2	2	2.5	2.5	2.5	2.5	2.5	2.5		
Lateral spring stiffness (N/mm)		475	137	900	270	1200	380	1550	435	2040	610	3750	1050	2500	840	2000	3600	6070				
Actuation path (mm)		1.5		1.5		1.7		1.9		2.2		2.2		2.2		2.2		3		3		

A^F, B^F, F^F = Full disengagement version

(smaller sizes upon request)