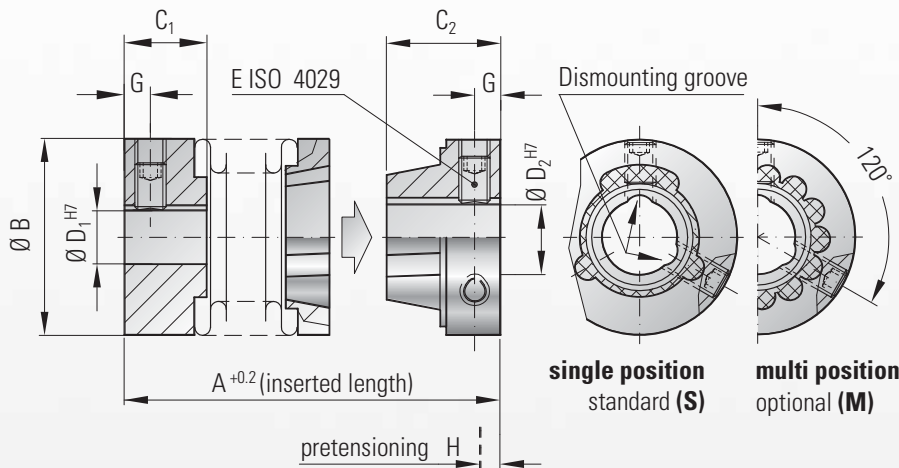


Optional:



MODEL MK4

TECHNICAL SPECIFICATIONS



blind mate with radial set screws

Features:

- electrically and thermally isolating
- wear and maintenance free
- easy mounting and dismounting
- absolutely backlash free and torsionally rigid
- low moment of inertia
- compensates for 3 types of misalignment

Material:

Bellows made from highly flexible, high grade stainless steel; hubs and bellows side adapter plate made from aluminum; tapered male segment made from glass reinforced plastic

Design:

With 1x or 2x ISO 4029 radial set screw per hub and integral "dismounting groove"; with blind mate, press fit connection

Temperature range: -30 to +110° C (-22 to +230° F)

Speeds: Up to 20,000 rpm; in excess of 20,000 rpm with finely balanced version

Service life:

Maintenance free with infinite life when operated within the technical specifications

Fit tolerance:

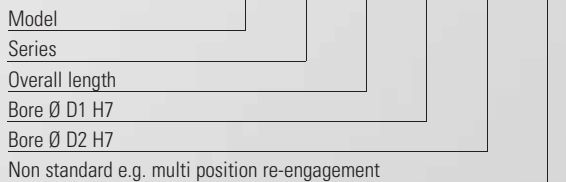
Overall clearance between hub and shaft 0.01-0.05 mm

Non standard applications:

Custom designs with various tolerances, keyways, materials, dimensions, etc. available upon request

Ordering example

MK4/20 / 37 / 8 / 10 / XX



Model MK 4		Series											
		5			15		20			45		100	
Rated torque (Nm)	T_{KN}	0.5			1.5		2			4.5		10	
Overall length (inserted) (mm)	A	22	25	28	26	31	28	33	37	39	47	46	56
Outside diameter (mm)	B	15			19		25			32		40	
Fit length (mm)	C_1	6.5			7.5		11			13		15	
Fit length (mm)	C_2	9			10		11			14		16	
Inside diameter possible from \emptyset to \emptyset H7 (mm)	D_1	3-9			3-12		3-16			6-22		6-28	
Inside diameter possible from \emptyset to \emptyset H7 (mm)	D_2	3-6.35			3-9		3-12.7			6-16		6-20	
Fastening screw ISO 4029		1xM3			2xM3		2xM4			2xM5		2xM6	
Tightening torque of the fastening screws (Nm)	E	1.3			1.3		2.5			4		6	
Distance (mm)	G	2			2		2.5			3.5		4	
Approximate pretensioning (mm)	H	0.4			0.5		0.5			0.7		1	
Axial recovery force at maximum pretensioning (N)		5	3	2	4	3	3	4	3	15	10	33	46
Moment of inertia (gcm ²)	J_{total}	2.0	2.2	2.5	5.5	6.0	21	23	25	80	85	200	210
Torsional stiffness (Nm/rad)	C_T	280	210	170	750	700	1200	1300	1200	7000	5000	9050	8800
Axial* ± (mm)	Max. values	0.4	0.5	0.6	0.5	0.7	0.5	0.6	0.7	0.7	1	1	1.2
Lateral ± (mm)		0.15	0.2	0.25	0.15	0.2	0.15	0.2	0.25	0.2	0.25	0.2	0.3
Angular ± (degree)		1	1.5	2	1.5	1.5	1.5	1.5	2	1.5	2	1.5	2

1 Nm = 8.85 in lbs

* in addition to maximum pretensioning