

Optional:

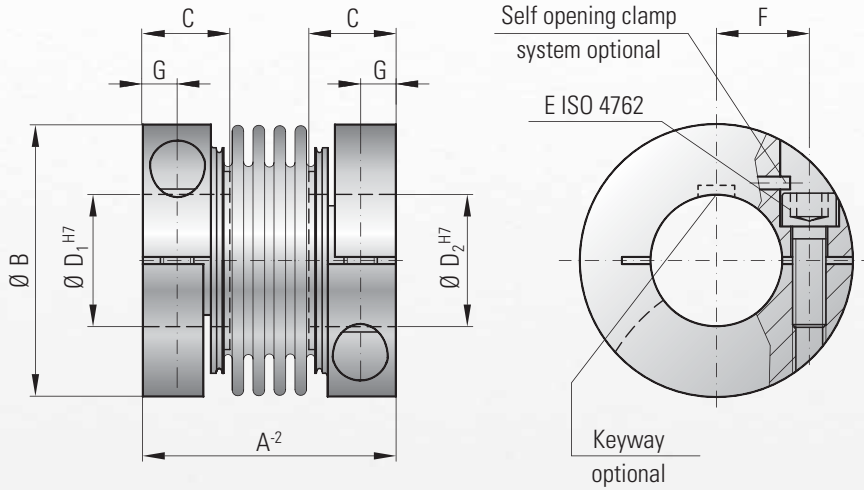


MODEL BKS

BACKLASH-FREE, TORSIONALLY STIFF METAL BELLOWS COUPLINGS



stainless steel, welded, with clamping hubs



Features:

- for high temperatures
- compact
- easy to mount
- suited for space restricted installations

Material:

Bellows and clamping hubs, are made from stainless steel; screws plated (10.9)
Detailed specifications upon request

Design:

With a single ISO 4762 radial clamping screw per hub
Laser welded connection between hubs and bellows

Self opening clamp system optional: Loosening the clamping screw applies force to the pin, which forces the clamp into the open position for easy mounting and dismounting

Temperature range:

-40 to +300° C (-40 to +572° F)

Speeds:

Up to 10,000 rpm; in excess of 10,000 rpm with finely balanced version (up to G = 2.5)

Fit tolerance:

Overall clearance between hub and shaft
0.01-0.05 mm

Ordering example

BKS / 15 / 20 / 19 / XX

- Model
- Series
- Bore Ø D1 H7
- Bore Ø D2 H7
- Non standard e.g. finely balanced G=2.5

Model BKS			Series				
			15	30	60	150	300
Rated torque (Nm)	T_{KN}	25	40	80	200	350	600
Overall length (mm)	A^2	45	52	66	76	89	95
Outside diameter (mm)	B	49	56	66	82	110	123
Fit length (mm)	C	17	20	24	30	34	35
Inside diameter possible from Ø to Ø H7 ** (mm)	D_1/D_2	12-28	14-32	16-35	19-42	24-60	32-75
Fastening screw ISO 4762	E	M5	M6	M8	M10	M12	M12
Tightening torque of the fastening screw (Nm)		8	15	40	75	120	125
Distance between centerlines (mm)	F	17.5	20	23	27	39	45
Distance (mm)	G	6	7.5	9.5	11	13	13
Moment of inertia (10^{-3} kgm ²)	$J_{ges.}$	0.1	0.2	0.53	1.5	5.5	8.1
Approximate weight (kg)		0.27	0.42	0.78	1.5	2.9	3.5
Torsional stiffness (10^9 Nm/rad)	C_T	23	31	72	141	157	290
Axial ± (mm)	Max. values	1	1	1.5	2	2	2.5
Lateral ± (mm)		0.2	0.2	0.2	0.2	0.2	0.2
Angular ± (degree)		1	1	1	1	1	1
Axial spring stiffness (N/mm)	C_a	30	50	67	77	112	72
Lateral spring stiffness (N/mm)	C_r	315	366	679	960	2940	2200
Speed max. with G = 2.5 balancing (rpm)		60,000	50,500	50,000	40,500	40,000	30,000

* 1 Nm = 8.85 in lbs

** Smaller bore diameter available at reduced torque capacity