

Series 2002 Product Overview

Features:

- Large hand clearance for improved safety
- Bolt pattern interchangeable with 202 Series
- Three times the holding capacity of 202 Series
- Hardened bushings at key pivot points
- Near vertical clamping contact

Applications:

- Checking fixtures
- Assembly & test
- Light machining
- Woodworking

Also Available:

See page 8.1 for accessories
Accepts M6 or 1/4 spindle accessories

Covered under one or more U.S./International Patents

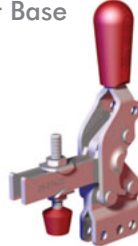
2002-U
Flanged Base
U-Bar



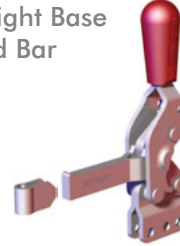
2002-S
Flanged Base
Solid Bar



2002-UB
Straight Base
U-Bar



2002-SB
Straight Base
Solid Bar



2002-UR
Flanged Base
U-Bar
with
DE-STA-CO®
Toggle Lock
Plus



2002-SR ⓘ
Flanged Base
Solid Bar
with
DE-STA-CO®
Toggle Lock
Plus



2002-UBR
Straight Base
U-Bar
with
DE-STA-CO®
Toggle Lock
Plus



2002-SBR ⓘ
Straight Base
Solid Bar
with
DE-STA-CO®
Toggle Lock
Plus



2002-U207
Flanged Base
U-Bar
Interchangeable
with 207 Series



2002-UR207
Flanged Base
U-Bar
Interchangeable
with 207 Series,
DE-STA-CO®
Toggle
Lock Plus



Note:
Clamps shown with included accessories.

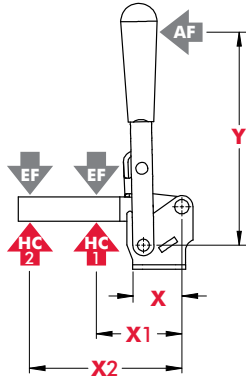
Series 2002 Technical Information

Model	Max. Holding Capacity	Clamp Bar Opening (+10°)	Handle Opening (+10°)	Weight	Accessories (Supplied)				
					Bolt Retainer	Spindle Assembly	Flanged Washers		
2002-U	2700 N [600 lbf]	75°	66°	0,22kg [0.48lb]	---	215208-M	215105		
2002-S					2002115-E	---	---		
2002-UB					---	215208-M	215105		
2002-SB					2002115-E	---	---		
2002-UR				---	215208-M	215105			
2002-SR ⓘ				2002115-E	---	---			
2002-UBR				---	215208-M	215105			
2002-SBR ⓘ				2002115-E	---	---			
2002-U207				90°	72°	0,26kg [0.57lb]	---	215208-M	215105
2002-UR207				75°	57°		---		

ⓘ This item is available upon request



Series 2002 Holding Capacities

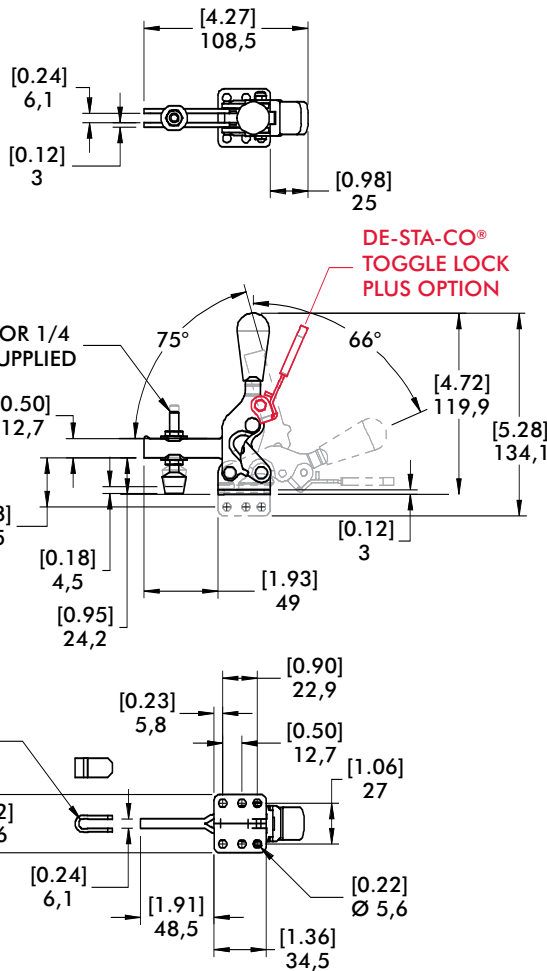
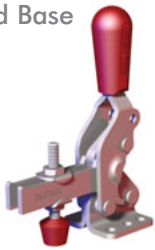


Model	X	X1	X2	Y	±HC1	±HC2	±EF(X1):AF	±EF(X2):AF
2002-()	[1.12] 28,5	[1.45] 37	[2.64] 67	[3.66] 93	[600 lbf] 2700N	[295 lbf] 1310N	11:1	5:1

Dimensions shown "mm [inch]" ± HC = Holding Capacity, EF = Exerting Force, AF = Applied Force
Refer to page 20.4 for additional information.

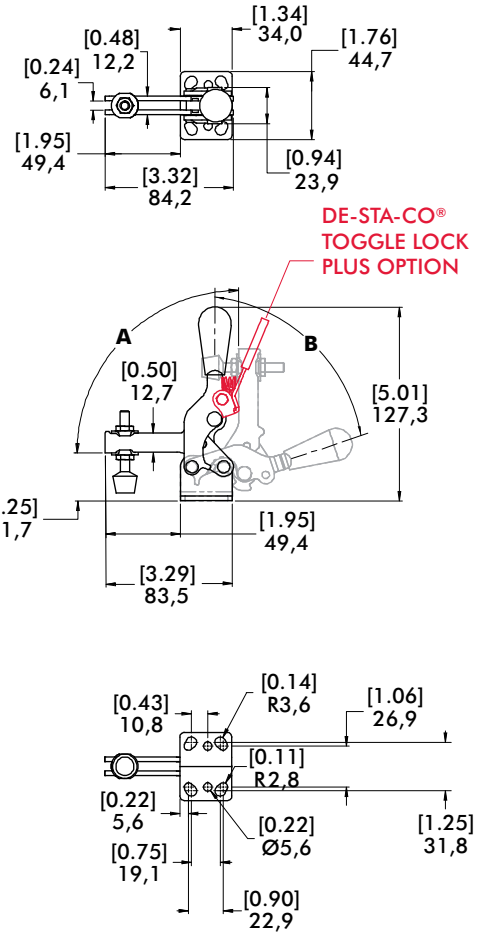
Series 2002 Standard Clamp Dimensions
-U/-S/-UB/-SB/-UR/-SR/-UBR/-SBR

2002-U
Flanged Base
U-Bar



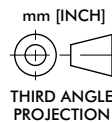
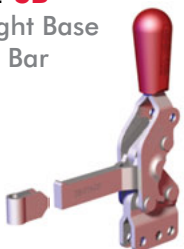
DE-STA-CO®
TOGGLE LOCK
PLUS OPTION

2002-U207/2002-UR207
with interchangeable Series 207
Mounting Pattern



DE-STA-CO®
TOGGLE LOCK
PLUS OPTION

2002-SB
Straight Base
Solid Bar



Model	A	B
2002-U-207	90°	72°
2002-UR207	75°	57°